

Abstract Data Types: Lists 2

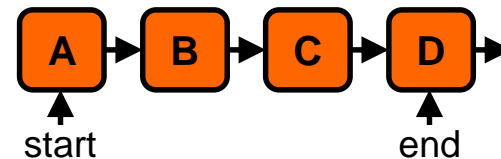
A2

A List interface and its implementation: Linked List

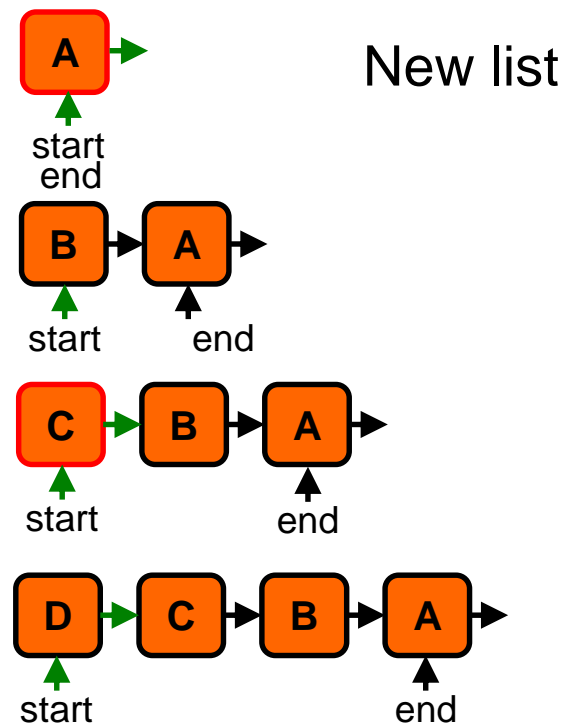
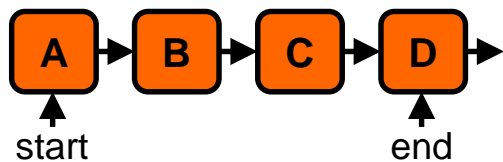
List Implementation: Linked Lists

- Arrays
 - Fast lookup of any element
 - A little messy to grow and contract
- Linked list
 - Logical fit to a list, easy to grow, contract
 - Need to traverse list to find arbitrary element

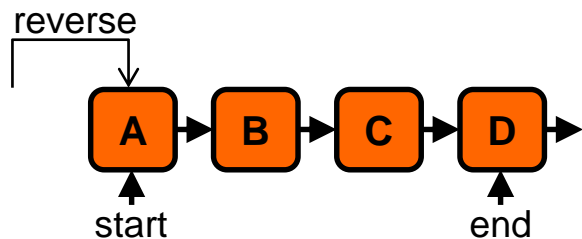
```
public class LinkedList<T> {  
    private class LLNode<T> {  
        T value;  
        LLNode<T> next;  
    }  
    LLNode<T> start;  
    LLNode<T> end;  
}
```



Linked List Reversal



Linked List Reversal



Pointer reversal

